

# E500 Series 3 1/4" Frame Depth Double Hung/Single Hung

## E500 SERIES DOUBLE HUNG/SINGLE HUNG

### FEATURES

- ◇ Commercial Framing System
  - 3 1/4" main frame
  - 0.062" wall thickness of frame and sash
- ◇ Thermally Enhanced Design
  - Azon pour and debridge thermal break is 1/2" wide in all main frame and vent rail extrusions
  - Double fin-type weatherstripping
  - Stainless steel pivot bars
  - Header expander
  - Sill angle
  - Full width lift handles
- ◇ Glazing
  - 1" insulated glass
- ◇ Hardware
  - Block and tackle balancers
  - Gravity latch
- ◇ Screen
  - Extruded aluminum screen frame with BetterVue™ mesh with WaterShed® technology

### BENEFITS

- ◇ The capacity to match exterior colors for unique project facades
- ◇ The ability to facilitate large sizes for taller and wider window openings

### PERFORMANCE

- ◇ Structural & Thermal (test reports or thermal simulations available upon request)

Model	Double Hung/Single Hung
NAFS Rating	AW-PG40
Structural Load P.S.F.	60.15
Air at 50 MPH (cfm/ft <sup>2</sup> )	<0.30
Water (No Penetration) P.S.F.	
U-Value (ranges based on multiple Low-E/Argon combinations)	0.36- 0.42
SHGC (ranges based on multiple Low-E/Argon combinations)	0.13 - 0.46

### OPTIONS

- ◇ Available Configurations
  - Double hung
  - Single hung
  - Oriel single hung
- ◇ Muntin Choices
  - Internal or simulated divided lites available
- ◇ Hardware
  - Class 5 balancers
  - Dual self-aligning sweep locks
  - Limited travel latch
  - Wide variety of locking and operating hardware options
- ◇ Nailing Fin
- ◇ Screen
  - Extruded aluminum screen frame with aluminum wire mesh
  - Extruded aluminum screen frame with sunscreen mesh
  - Extruded aluminum screen frame with stainless steel 0.009" thickness mesh
  - Security screen
- ◇ Glazing
  - Multiple Low-E and argon glazing choices
  - Capillary tubes
  - Wide variety of glazing, tinting and thickness options
- ◇ Panning & Trim Choices
  - Wide variety of panning, receptor and trim available
- ◇ Mulling
  - Wide variety of structural mulls
- ◇ Specialty
  - Attached exterior or interior storm window
  - Extension jambs

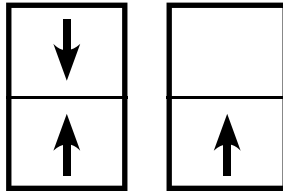


Window test size: 60" x 99"

Operating Force: 25 lbf (maintain motion), 11 lbf (latches)

Our products are tested to the standards of and certified by some of the foremost organizations in the fenestration industry.

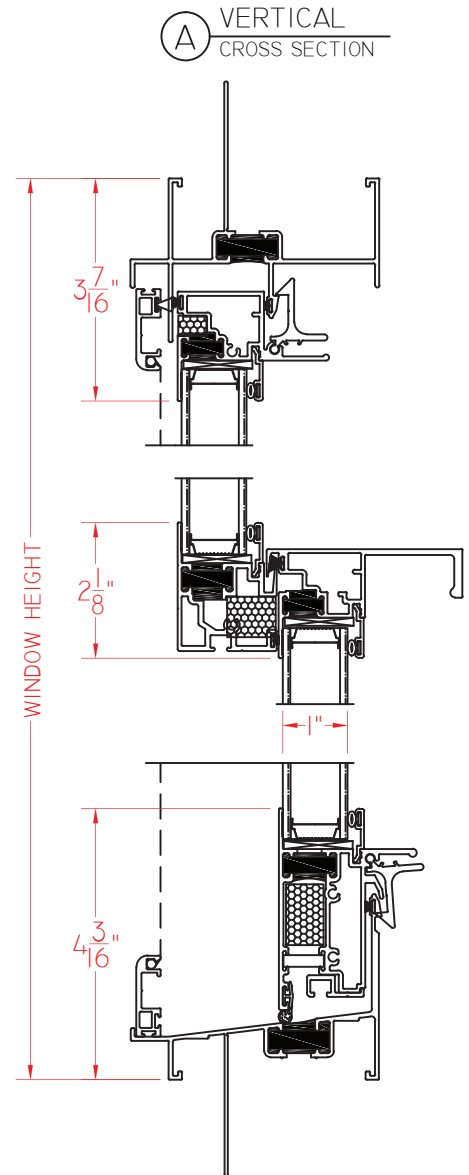
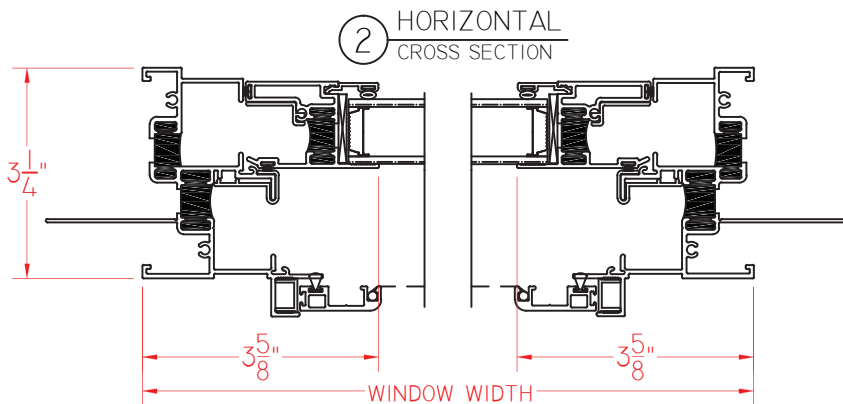
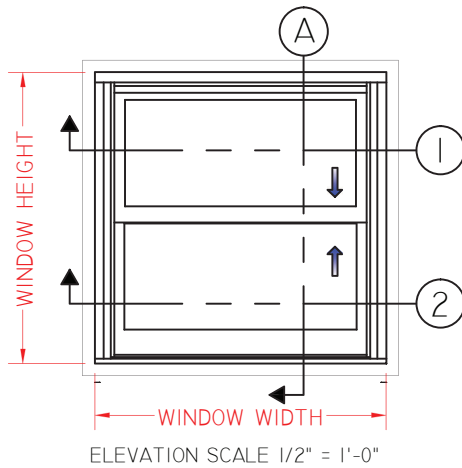
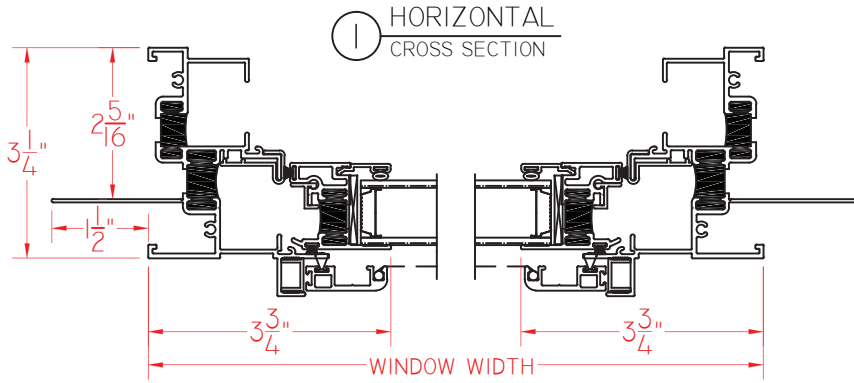




# E500 Series 3 1/4" Frame Depth Double Hung/Single Hung

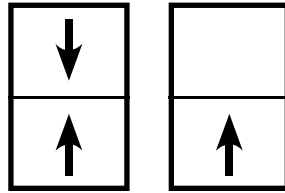
## E500 DOUBLE HUNG/SINGLE HUNG WITH NAILING FIN

This document contains confidential and proprietary information intended for the private use of Quaker.  
 © 2016 Quaker Window Products Co., INC. All rights reserved.  
 Quaker reserves the right to change any/all designs without notice. Due to periodic re-certification requirements, result shown may vary.



Our products are tested to the standards of and certified by some of the foremost organizations in the fenestration industry.

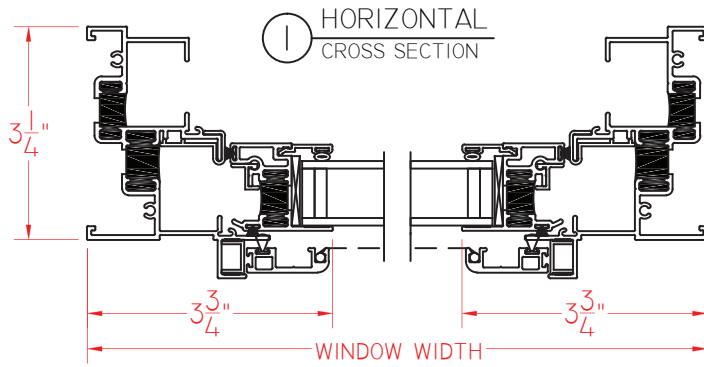




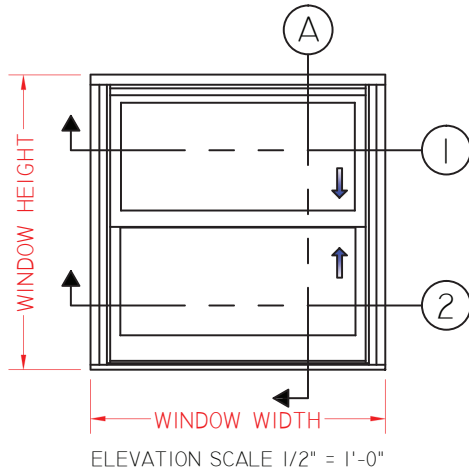
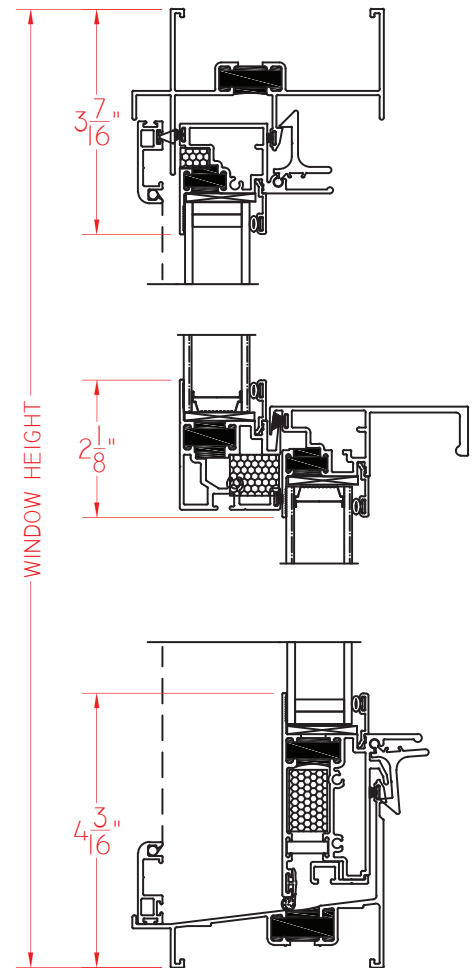
# E500 Series 3 1/4" Frame Depth Double Hung/Single Hung

## E500 DOUBLE HUNG/SINGLE HUNG WITHOUT NAILING FIN

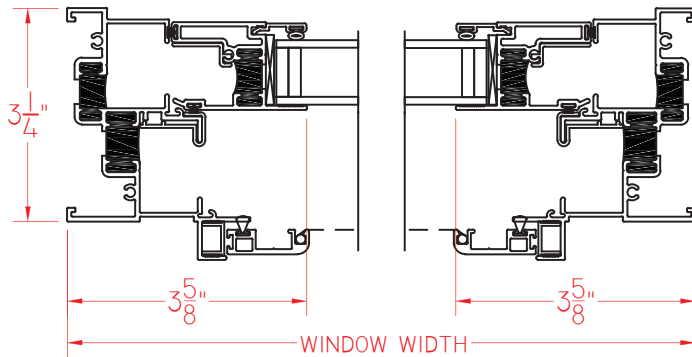
This document contains confidential and proprietary information intended for the private use of Quaker.  
 © 2016 Quaker Window Products Co., INC. All rights reserved.  
 Quaker reserves the right to change any/all designs without notice. Due to periodic re-certification requirements, result shown may vary.



Ⓐ VERTICAL CROSS SECTION



Ⓑ HORIZONTAL CROSS SECTION



Our products are tested to the standards of and certified by some of the foremost organizations in the fenestration industry.

